

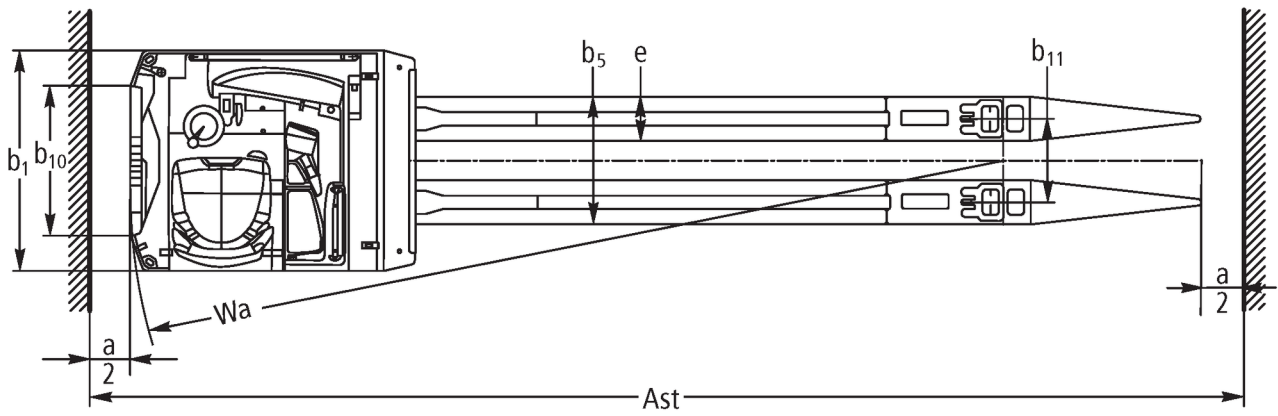
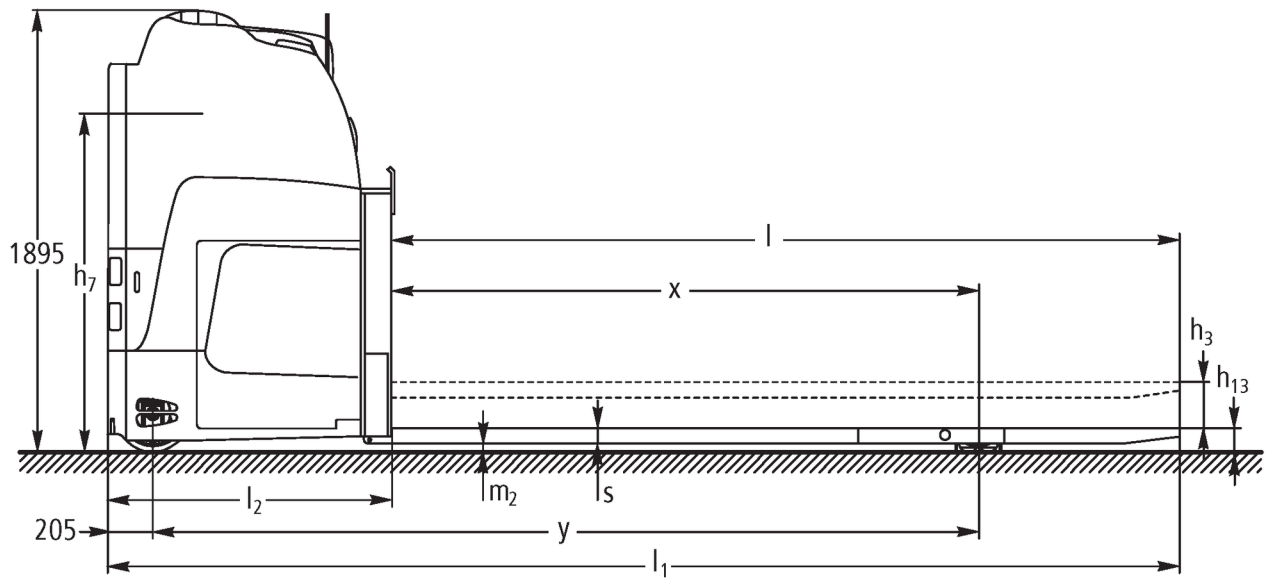


Electric sideways-seated pallet truck **ESE 540 NA**

Lift height: 115 mm / Load capacity: 3300 kg

JUNGHEINRICH

ESE 540 NA



VDI table

Stand-on: 08/2022

Characteristic	1.1	Manufacturer (abbreviated description)		Jungheinrich	
	1.2	Manufacturer's type designation		ESE 540 NA	
	1.3	Drive		Electric	
	1.4	Operation		Seat	
	1.5	Load capacity/load	Q	kg	3300
Basic dimensions	4.22	Fork dimensions	s/e/l	mm	70 x 200 x 3600
E-motor/ Electronics	6.1	Drive motor, performance S2 60 min		kW	6.9
	6.6.1	Energy consumption according to EN cycle		kWh/h	0.92
	6.6.2	CO2 equivalent as per EN 16796		kg/h	0.5
Other	8.1	Type of drive control			AC

- This data sheet according to VDI guideline 2198 only states the technical values of the standard truck. Different tyres, other masts, additional equipment etc. may result in different values.

The German production facilities in
Norderstedt, Moosburg and Landsberg
are certified.

ISO 9001
ISO 14001

Jungheinrich fork lift trucks meet
European safety requirements.



 **JUNGHEINRICH**

The Jungheinrich logo, featuring a red upward-pointing arrow above the word 'JUNGHEINRICH' in a bold, black, sans-serif font.